

C. P.

1856625



THE UNITED STATES OF AMERICA

TO ALL TO WHOM THESE PRESENTS SHALL COME:

Whereas

SAMUEL DRESSLER,

of

Brooklyn,

New York,

PRESENTED TO THE **Commissioner of Patents** A PETITION PRAYING FOR THE GRANT OF LETTERS PATENT FOR AN ALLEGED NEW AND USEFUL IMPROVEMENT IN

WHISTLES,

A DESCRIPTION OF WHICH INVENTION IS CONTAINED IN THE SPECIFICATION OF WHICH A COPY IS HEREUNTO ANNEXED AND MADE A PART HEREOF, AND COMPLIED WITH THE VARIOUS REQUIREMENTS OF LAW IN SUCH CASES MADE AND PROVIDED, AND

Whereas

UPON DUE EXAMINATION MADE THE SAID CLAIMANT IS ADJUDGED TO BE JUSTLY ENTITLED TO A PATENT UNDER THE LAW.

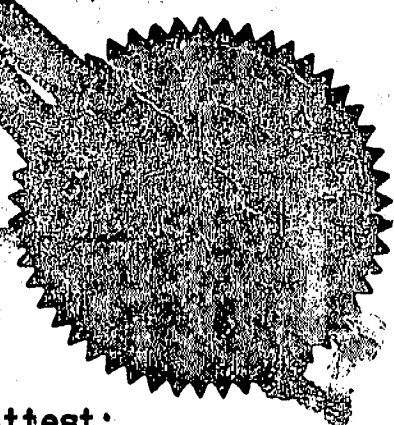
NOW THEREFORE THESE **Letters Patent** ARE TO GRANT UNTO THE SAID

Samuel Dressler, his heirs

OR ASSIGNS

FOR THE TERM OF SEVENTEEN YEARS FROM THE DATE OF THIS GRANT

THE EXCLUSIVE RIGHT TO MAKE, USE AND VEND THE SAID INVENTION THROUGHOUT THE UNITED STATES AND THE TERRITORIES THEREOF.



In testimony whereof I have herunto set my hand and caused the seal of the Patent Office to be affixed at the City of Washington this third day of May, in the year of our Lord one thousand nine hundred and thirty-two, and of the Independence of the United States of America the one hundred and fifty-sixth.

Attest:

S. C. Fisher

Law Examiner.

Thomas E. Robertson

Commissioner of Patents.

1,856,625

May 3, 1932.

S. DRESSLER
WHISTLE
Filed Sept. 11, 1931

Fig:1.

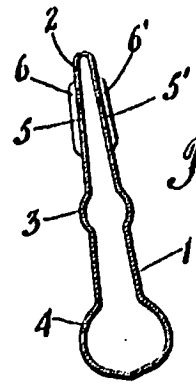
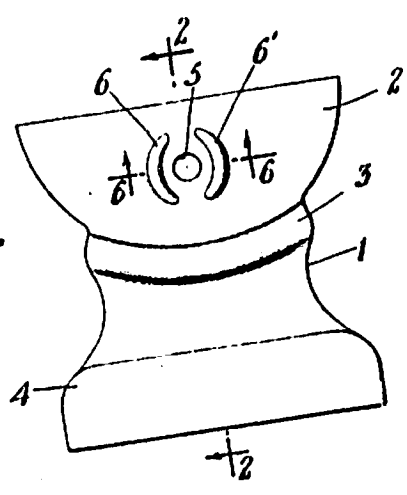


Fig:2.

Fig:3.

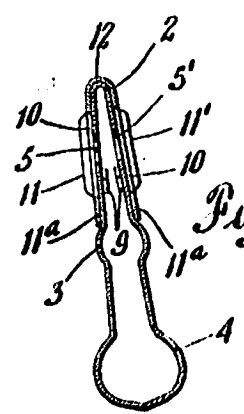
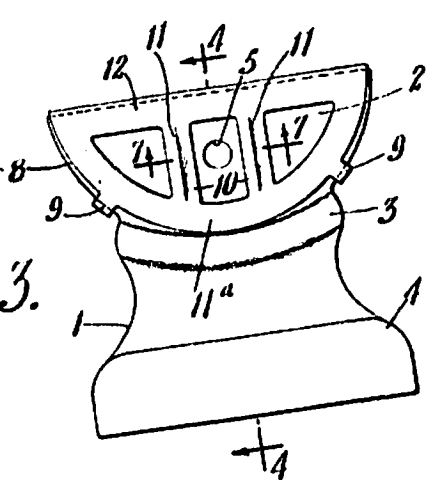


Fig:4.

Fig:5.

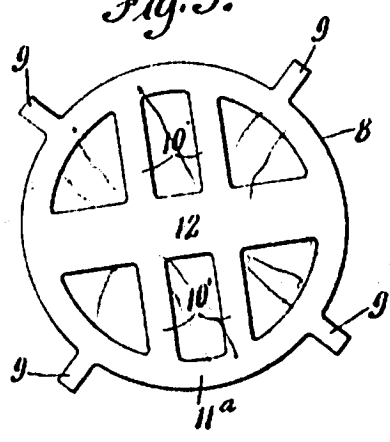


Fig:6.

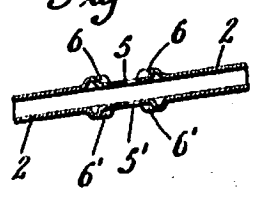
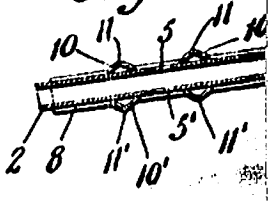


Fig:7.



INVENTOR
Samuel Dressler
BY C. Campbell Hanna
ATTORNEY